

JOB NAME:

QUANTITY:

ITEM NO.:

PRODUCT NAME:

ULTRA SPRAY VALVE

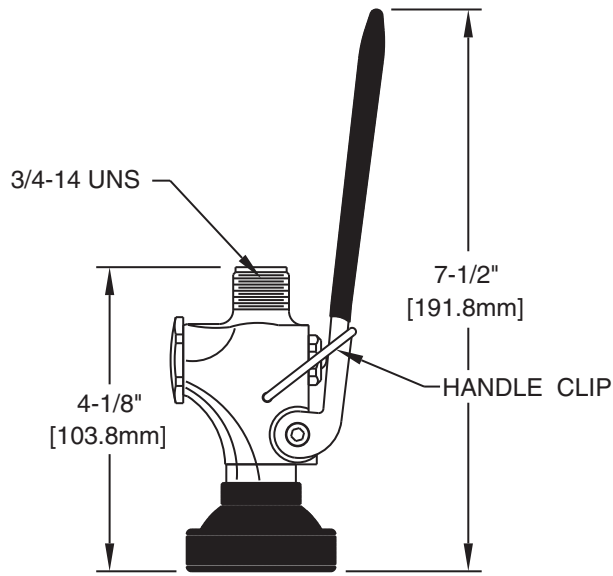
_____ SPECIAL CONFIGURATION
(CHECK BASE MODEL AND OPTIONS)

MODEL:

2990-1 W/ 2.65 GPM NOZZLE

OPTIONS OR MODIFICATIONS:

SNAP-IN SCRUB BRUSH
 OTHER _____



FEATURES

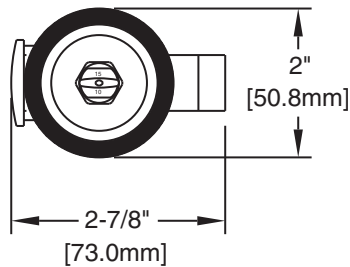
- * FITS ALL BRANDS
- * SPRAY NOZZLE THREADED INTO BODY
- * HIGH STRENGTH BRONZE ALLOW HANDLE
- * BLACK DISH GUARD BUMPER
- * BUILT-IN SPRAY HANDLE CLIP
- * KNIFE SPRAY PATTERN

SYSTEM LIMITS

- * TEMP: 40°F MIN. TO 140°F MAX.
- * PRESSURE 200 PSI MAX. STATIC
- * 2.65 GPM AT 80 PSI

SHIPPING WEIGHT

* 1.5 LBS



 ANSI/A112.18.1M

FISHER MANUFACTURING COMPANY
 1900 SOUTH "O" STREET, TULARE, CALIFORNIA 93274
 MAILING ADDRESS: P.O. BOX 60, TULARE, CALIFORNIA 93275
 PHONE: (800) 421-6162 FAX: (800) 832-8238
M A D E I N U . S . A .